

# SIDECUT SC3C ROCKSAW



Tesmec SC3C is a 4 metric ton-class trencher featuring a 98.7 HP (73.6 kW) engine designed for the deployment of fiber optic networks in urban areas

## STANDARD FEATURES

**Productivity** Exploit the productivity of Sidecut SC3C and rock saw attachment, featuring an hydraulic offset of 42.5 (1' 5") right and 36.5 cm (1' 2") left, +/- 15° hydraulic tilt (rotation about horizontal axis) and +/- 29° hydraulic pivot (rotation about vertical axis). These are offered as standard with crumshoe and security kit.

**Maneuverability** Enhance SC3C potential and its compact dimensions, articulated steering and axial driven cutting wheel mounted on a 5-axis boom, which allows it to cut on sidewalks with limited disturbance to pedestrian and traffic during work, trench in curves and adapt to urban strains.

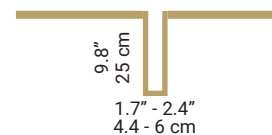
**Remote control** Experience the radio control system, which enables the operator to control the machine remotely, increasing the safety in site, the visibility on the trenching area and on the trenching tool.

## OPTIONAL FEATURES

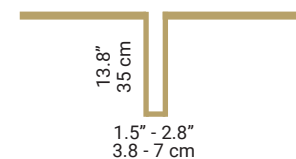
- Worklight
- Extra Offset 25 cm (10") right (axis trench to track edge)

## TRENCHING DIMENSIONS

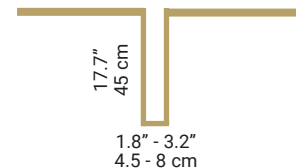
### R250/R250A WHEEL



### R350/R350A WHEEL



### R450 WHEEL



## TRANSPORT DIMENSIONS

	METRIC	US
<b>Length</b>		
R250/R250A	471.5 cm	15' 6"
R350/R350A	521 cm	17' 1"
R450	534 cm	17' 5"
<b>Width</b>	110 cm	3' 7"
<b>Height</b>	176 cm	5' 9"
<b>Weight</b>		
R250/R250A	4.285 Kg	9.450 lbs
R350/R350A	4.305 Kg	9.490 lbs
R450	4.550 Kg	10.000 lbs
<b>Ground pressure</b>	0.66 - 0.71 kg/cm2	9.4 - 10.1 psi

## ENGINE

	METRIC	US
<b>Model and Max HP (kW)</b>		
EU Stage IIIB - US EPA Tier 4i	98.7 HP (73.6 kW)	
<b>Max no load rpm</b>	2000 RPM	
<b>Fuel tank capacity</b>	160 L	42.3 gal
<b>Fuel consumption</b>	20 L/hr	5.3 gal/hr
<b>Cooling rating</b>	45°C ambient air	113°F ambient air
<b>Air cleaner</b>	Dry type, 2 stages with pre-cleaner and automatic dust ejection	

## TRACKS

	METRIC	US
<b>Track chain type</b>	B2	
<b>Track length</b>	210 cm	6' 11"
<b>Space idler / sprocket</b>	160 cm	5' 3"
<b>Track pad type</b>	Rubber overmolded steel tiles	
<b>Track pad width</b>	20 cm	7.9"

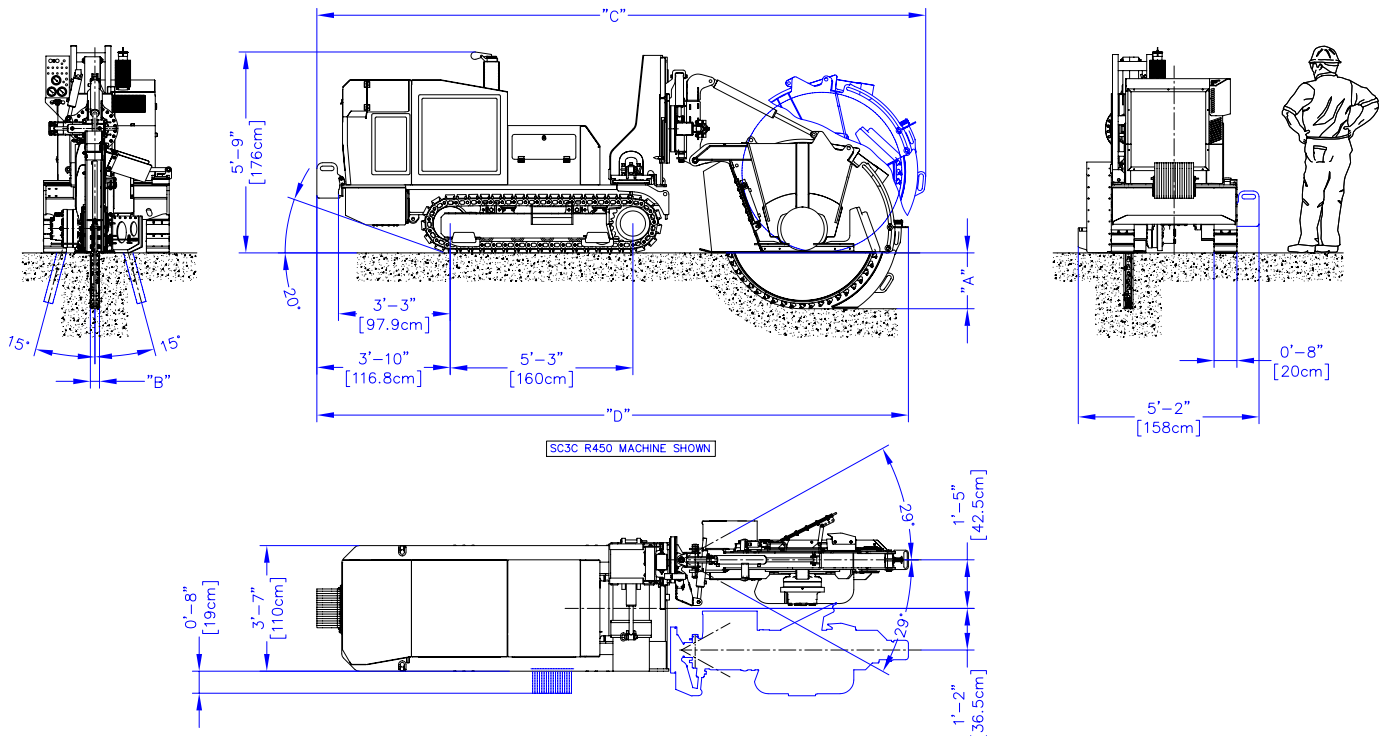
## CRAWLER DRIVE

	METRIC	US
<b>Drive</b>	Dual path, hydrostatic, planetary transmissions	
	Full counter rotation with double lever steering and double lever direction	
<b>Infinitely variable speed</b>	Forward and reverse	
Transfer mode driving	0 - 2.6 km/h	0 - 1.6 mph
Work mode driving	0 - 50 m/h	0 - 164 fph
<b>Parking and service brake</b>	Hydraulic due to lack of pressure	

## DIGGING DRIVE

	METRIC	US
<b>Drive</b>	Hydrostatic, one pumps and one gearbox	
<b>Digging speed ranges</b>	0 - 360 m/min	0 - 1181 fpm
<b>Cutters</b>	Rotary carbide tipped	
<b>Cutters shank diameter</b>	2 cm	13/16"
<b>Cutters gage</b>	2.8 cm	1.1"

TOOL	"A"	"B"	"C"	"D"
R250 / R250A	10" [25 cm]	Min 1.7" [4.4 cm] Max 2.4" [6 cm]	16'-7" [510 cm]	16'-3" [496 cm]
R350 / R350A	13.8" [35 cm]	Min 1.5" [3.8 cm] Max 2.7" [7 cm]	17'-1" [521 cm]	16'-7" [510 cm]
R450	17.7" [45 cm]	Min 1.8" [4.5 cm] Max 3.2" [8 cm]	17'-5" [534 cm]	17'-1" [521 cm]



Pictures & drawings can be different according to technical specifications - Updating programme variations without notice are possible

# SIDECUT SC3C CHAINSAW



SC3C is a 4 metric ton-class trencher featuring a 98.7 HP (73.6 kW) engine designed for the deployment of fiber optic networks in urban areas

## STANDARD FEATURES

**Productivity** Exploit the productivity of Sidecut SC3C and chainsaw attachment, featuring an hydraulic offset of 42.5 (1' 5") right and 36.5 cm (1' 2") left, +/- 15° hydraulic tilt (rotation about horizontal axis) and +/- 29° hydraulic pivot (rotation about vertical axis). These are offered as standard with crumbshoe and security kit.

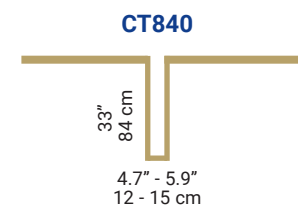
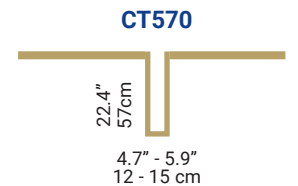
**Maneuverability** Enhance SC3C potential and its compact dimensions, articulated steering and a digging chain mounted on a 5-axis boom, which allows it to cut on sidewalks with limited disturbance to pedestrian and traffic during work, trench in curves and adapt to urban strains.

**Remote control** Experience the radio control system, which enables the operator to control the machine remotely, increasing the safety in site, the visibility on the trenching area and on the trenching tool.

## OPTIONAL FEATURES

- Worklight
- Extra Offset 25 cm (10") right (axis trench to track edge)

## TRENCHING DIMENSIONS



## TRANSPORT DIMENSIONS

	METRIC	US
<b>Length</b>		
CT570	471.5 cm	15' 6"
CT840	521 cm	17' 1"
<b>Width</b>	110 cm	3' 7"
<b>Height</b>	176 cm	5' 9"
<b>Weight</b>		
CT570	4.540 Kg	10.009 lbs
CT840	4.680 Kg	10.300 lbs
<b>Ground pressure</b>		
CT570	0.70 kg/cm2	9,9 psi
CT840	0.73 kg/cm2	10,3 psi

## ENGINE

	METRIC	US
<b>Model and Max HP (kW)</b>		
EU Stage IIIB - US EPA Tier 4i	98.7 HP (73.6 kW)	
<b>Max no load rpm</b>	2000 RPM	
<b>Fuel tank capacity</b>	160 L	42.3 gal
<b>Fuel consumption</b>	20 L/hr	5.3 gal/hr
<b>Cooling rating</b>	45°C ambient air	113°F ambient air
<b>Air cleaner</b>	Dry type, 2 stages with pre-cleaner and automatic dust ejection	

## TRACKS

	METRIC	US
<b>Track chain type</b>	B2	
<b>Track length</b>	210 cm	6' 11"
<b>Space idler / sprocket</b>	160 cm	5' 3"
<b>Track pad type</b>	Rubber overmolded steel tiles	
<b>Track pad width</b>	20 cm	7.9"

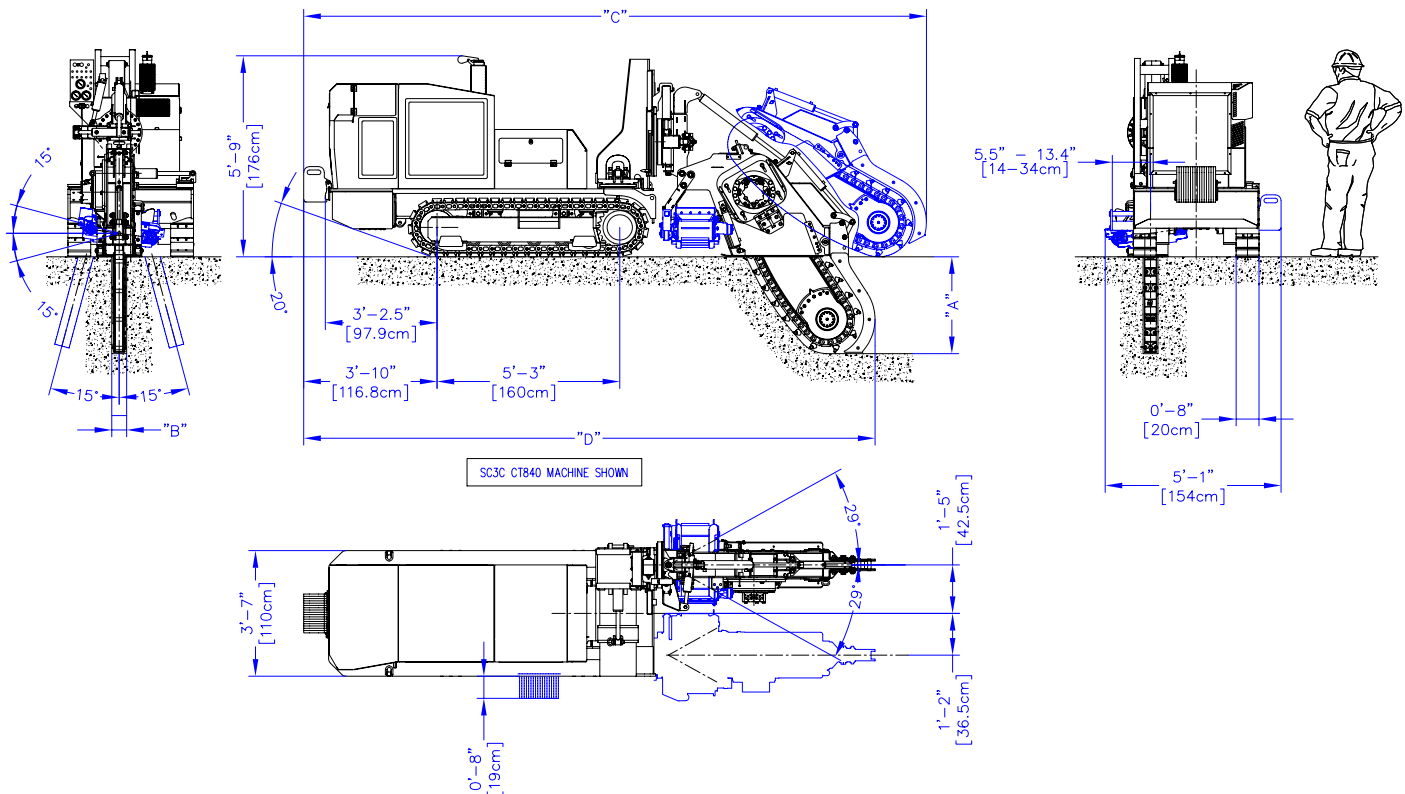
## CRAWLER DRIVE

	METRIC	US
<b>Drive</b>	Dual path, hydrostatic, planetary transmissions	
	Full counter rotation with double lever steering and double lever direction	
<b>Infinitely variable speed</b>	Forward and reverse	
Transfer mode driving	0 - 0.8 km/h	0 - 0.5 mph
Work mode driving	0 - 50 m/h	0 - 164 fph
<b>Parking and service brake</b>	Hydraulic due to lack of pressure	

## DIGGING DRIVE

	METRIC	US
<b>Drive</b>	Hydrostatic, one pumps and one motor	
<b>Digging speed ranges</b>	0 - 180 m/min	0 - 590 fpm
<b>Cutters</b>	Rotary carbide tipped	
<b>Cutters shank diameter</b>	2 cm	13/16"
<b>Cutters gage</b>	3.5 cm	1/8"

TOOL	"A"	"B"	"C"	"D"
CT570	1'-10" [57 cm]	Min 4.7" [12 cm] Max 5.9" [15 cm]	17" [518 cm]	15'-10" [484 cm]
CT840	2'-9" [84 cm]	Min 4.7" [12 cm] Max 5.9" [15 cm]	17'-10" [545 cm]	16'-5" [500 cm]



Pictures & drawings can be different according to technical specifications - Updating programme variations without notice are possible