

# 950R CHAINSAW



Tesmec 950R Chainsaw is a 25 metric ton-class trencher featuring a 275 HP (205 kW) engine designed for any urban and suburban network: telecom, power lines, gas, water and sewage

## STANDARD FEATURES

**Versatility** Exploit the versatility of 950R tractor and digging chain attachment with 85 cm (2' 9") offset from machine centerline either direction), offered as standard with crumbshoe or protection bar, cross conveyor system, TrenchTronic and Re.M.

**Modularity** Enhance 950R potential thanks to its modularity. This model is available also with Rocksaw attachments, making it the ideal solution for multiple applications. Through the swap kit it is possible to change the machine backend and use it for other projects.

**Safety in cab** Experience the safety of the pressurized cab with air conditioning, heating and sound suppression. This is elevating with ROPS, as well as compartment security locks.

## OPTIONAL FEATURES

- Side mounted truck loading conveyor, foldable and within transport dimensions
- Extended cross conveyor kit with hydraulic shift
- Air compressor, security kit, work light package and rubber track pads
- Reel carrier, rollers and laying box for mechanical laying
- TrenchIntel, Smart Tracker, Laser automatic system for depth control
- Remote control for maintenance
- Trencher radio control system
- Swap kit to Rocksaw T1000 and Rocksaw T620 De Rive attachments

## STATE OF THE ART TECHNOLOGY

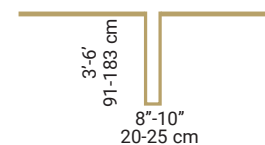
**TrenchIntel** The extra high precision 3DGPS guidance system for automatic depth and grade control, autosteering to a predefined path, pass optimization and fleet control

**TrenchTronic 4.0** Electronic control with operator selectable digging pressure, fully automatic operation, and remote diagnostic system

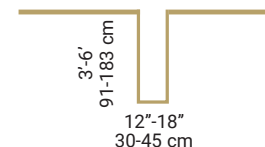
**Re.M** The remote monitoring system with machine data remote monitoring, fleet location management, troubleshooting information and operating conditions

## TRENCHING DIMENSIONS

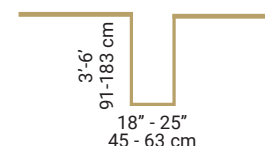
### SINGLE CHAIN NARROW



### SINGLE CHAIN



### DOUBLE LINK CHAIN



## TRANSPORT DIMENSIONS

	METRIC	US	
Length	3 ft boom	1.103 cm	36' 2"
	4 ft boom	1.135 cm	37' 3"
	5 ft boom	1.171 cm	39' 2"
	6 ft boom	1.203 cm	39' 6"
Width	254 cm	8' 4"	
Height	302 cm	9' 11"	
Weight	20.000 - 26.000 Kg	44.100 - 57.300 lbs	
Ground pressure	0.65 - 0.84 kg/cm <sup>2</sup>	9.24 - 12.18 psi	

## ENGINE

	METRIC	US
<b>Model and Max HP (kW)</b>		
Tier 4/Stage V CAT C7.1 ACERT	275 HP (205 kW)	
Tier 3 CAT C7.1 ACERT	275 HP (205 kW)	
Max no load rpm	2.150 RPM	
Fuel tank capacity	450L	119 gal
<b>Fuel consumption (at full load)</b>		
Tier 4/Stage V	55 L/hr	14.5 gal/hr
Tier 3	54 L/hr	14.3 gal/hr
<b>AD Blue/DEF consumption</b>		
Tier 4/Stage V	2.20 L/hr	0.58 gal/hr
Cooling rating	46°C ambient air	115°F ambient air
Air cleaner	Dry type, two stages with pre-cleaner and automatic dust ejection	

## TRACKS

	METRIC	US
Track chain type	FL6	
Track length	303 cm	9' 11"
Track pad width	50 cm	1' 8"
Track pad type	Triple grouser	
Self-leveling (tilting) undercarriage	Track tilt angle +5° / -5° Automatic/manual operation	

## CRAWLER DRIVE

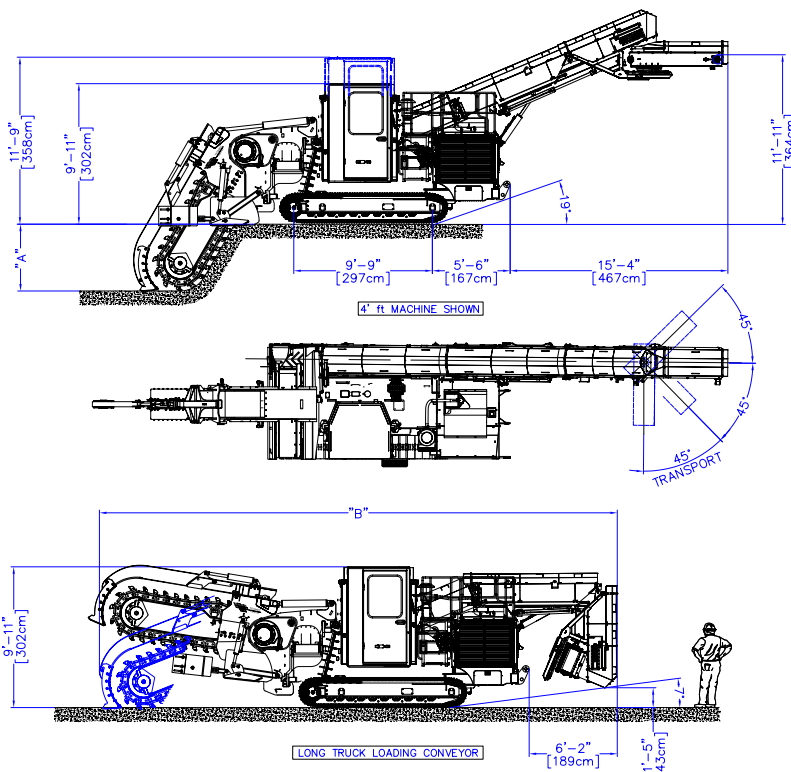
	METRIC	US
Drive	Dual path, hydrostatic, planetary transmissions	
	Single lever steering and single lever direction	
Infinitely variable speed	Forward and reverse	
	0 - 2.6 km/h	0 - 1.6 mph
Parking and service brake	Spring applied, hydraulic release, wet disc brake	

## DIGGING DRIVE

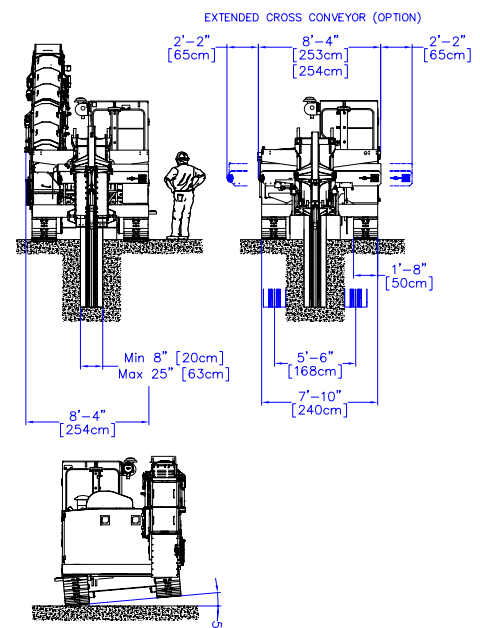
	METRIC	US
Drive	Hydrostatic, one variable displacement pump and one motor	
Flywheel gearboxes	Shaved, helical gearing, case hardened for shock load	
Digging speed ranges	0 - 175 m/min	0 - 574 fpm
Digging chain	Tescmec single strand with 11.4 cm (4.5") pitch chain, "K" or "M" or "Double Link" style	
Digging chain adjustment	Positive locking	
Digging chain boom top roller	Yes	
Cutters	Rotary carbide tipped	
Cutters shank diameter	3.81 cm	1 - 1/2"
Cutters gage	7.62 cm	3"

## CROSS CONVEYOR

	METRIC	US
Reversible and shiftable	Yes	
Conveyor belt speed	0 - 350 m/min	0 - 1.150 fpm
Conveyor discharge direction	Right or left	
Conveyor belt width	50 cm	1' 8"
Conveyor length	185 cm	6' 1"



BOOM	"A"	"B" LONG TLC
3'	3' [91 cm]	36' 2" [1103 cm]
4'	4' [122 cm]	37' 3" [1135 cm]
5'	5' [152 cm]	38' 4" [1171 cm]
6'	6' [183 cm]	39' 6" [1203 cm]



Pictures & drawings can be different according to technical specifications - Updating programme variations without notice are possible

**TESMEC**  
draw the way forward

in YouTube Instagram Facebook  
www.tesmec.com