

# 975 EVO CHAINSAW



**Tesmec 975 EVO Chainsaw is a 40 metric ton-class trencher featuring a 375 HP (285 kW) engine conceived for rock excavation in utilities projects such as fiber optic, electric cables, water conduits, and pipelines**

## STANDARD FEATURES

**Versatility** Exploit the versatility of 975EVO tractor and chainsaw attachment, offered as standard with crumshoe or protection bar kit, stabilizers, cross conveyor system, TrenchTronic and Re.M.

**Modularity** Enhance 975EVO potential thanks to its modularity. This model is available also with a Rockhawk attachment, making it the ideal solution for multiple applications. Through the swap kit it is possible to change the machine backend and use it for other projects.

**Safety in cab** Experience the safety of the pressurized cab with air conditioning, heating and sound suppression. This is elevating with ROPS and FOPS, as well as compartment security locks.

## OPTIONAL FEATURES

- Side mounted truck loading conveyor, not foldable
- Air compressor, automatic greasing kit, security kit, work light package and rubber track pads
- Reel carrier, rollers and laying box for mechanical laying
- TrenchIntel, Smart Tracker, Laser automatic system for depth control
- Remote control for maintenance
- Trencher radio control system
- Tilt undercarriage
- Swap kit to Rockhawk attachment

## STATE OF THE ART TECHNOLOGY

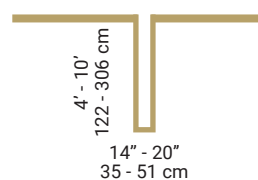
**TrenchIntel** The extra high precision 3DGPS guidance system for automatic depth and grade control, auto-teering to a predefined path, pass optimization and fleet control

**TrenchTronic 5.0** Electronic control with operator selectable digging pressure, fully automatic operation, and remote diagnostic system

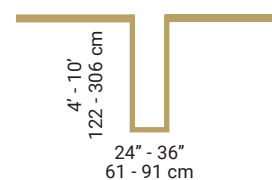
**Re.M** The remote monitoring system with machine data remote monitoring, fleet location management, troubleshooting information and operating conditions

## TRENCHING DIMENSIONS

### SINGLE CHAIN BOOM



### DOUBLE CHAIN BOOM



## TRANSPORT DIMENSIONS

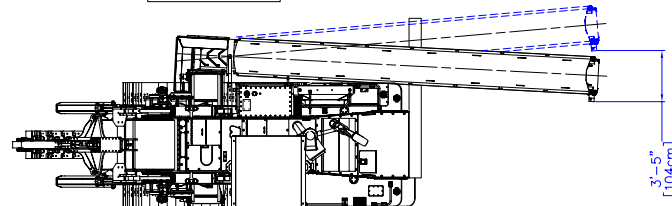
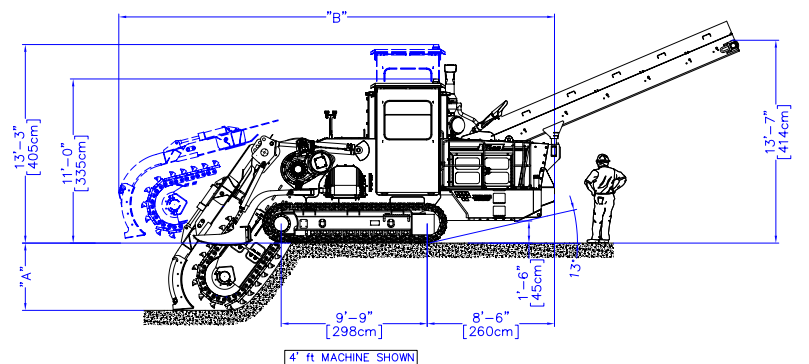
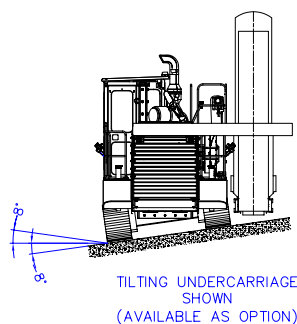
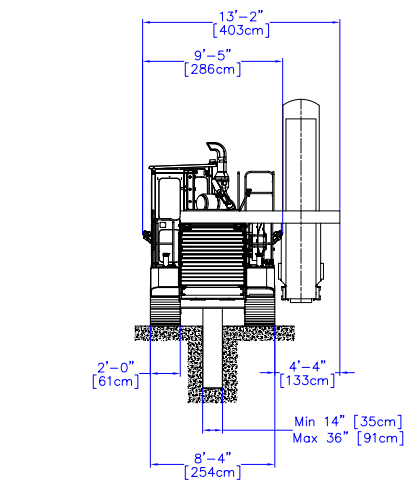
		METRIC	US
<b>Length</b>	4 ft boom	896 cm	29' 5"
	6 ft boom	974 cm	32' 0"
	8 ft boom	1.047 cm	34' 4"
	10 ft boom	1.123 cm	36' 10"
<b>Width</b>			
	With digging motors	286 cm	9' 5"
	Without digging motors	254 cm	8' 4"
<b>Height</b>		335 cm	11' 0"
<b>Weight</b>		25.000 - 40.000 Kg	55.100 - 88.100 lbs
<b>Ground pressure</b>		0.68 - 1.10 kg/cm2	9.7 - 15.6 psi

## ENGINE

	METRIC	US
<b>Model and Max HP (kW)</b>		
Tier 4/Stage V	CAT C9.3B	375 HP (280 kW)
Tier 3	CAT C9.3B	375 HP (280 kW)
<b>Max no load rpm</b>	2.000 RPM	
<b>Fuel tank capacity</b>	660 L	174 gal
<b>Fuel consumption (at full load)</b>	68 L/hr	18 gal/hr
<b>AD Blue/DEF consumption</b>		
Tier 4/Stage V	5.44 L/hr	1.43 gal/hr
<b>Cooling rating</b>	54°C ambient air	130°F ambient air
<b>Air cleaner</b>	Dry type, two stages with pre-cleaner and automatic dust ejection	

## TRACKS

	METRIC	US
<b>Track chain type</b>	D5	
<b>Track length</b>	298 cm	9' 9"
<b>Track pad width</b>	61 cm	2'
<b>Track pad type</b>	Triple grouser (single or double available as option)	



BOOM	"A"	"B"
4'	4' [122 cm]	29'-5" [896 cm]
6'	6' [183 cm]	31'-11" [974 cm]
8'	8' [244 cm]	33'-0" [1047 cm]
10'	10' [305 cm]	36'-10" [1123 cm]

## CRAWLER DRIVE

	METRIC	US
<b>Drive</b>	Dual path, hydrostatic, planetary transmissions	
	Full counter rotation with single lever steering and single lever direction	
<b>Infinitely variable speed</b>		
	Forward and reverse	
	High range	0 - 2.75 km/h 0 - 1.71 mph
	Low range	0 - 1.38 km/h 0 - 0.86 mph
<b>Parking and service brake</b>	Spring applied, hydraulic release, wet disc brake	

## DIGGING DRIVE

	METRIC	US
<b>Drive</b>	Hydrostatic, two pumps and two motors	
<b>Flywheel gearboxes</b>	Shaved, helical gearing, case hardened for shock load	
<b>Digging speed ranges</b>		
	0 - 104 m/min	0 - 340 fpm
	0 - 143 m/min	0 - 470 fpm
	0 - 186 m/min	0 - 610 fpm
	0 - 206 m/min	0 - 675 fpm
<b>Digging chain</b>	Single or double chain 54/345	
<b>Digging chain adjustment</b>	Positive locking	
<b>Cutters</b>	Rotary carbide tipped	
<b>Cutters shank diameter</b>	3.81 cm	1" 1/2
<b>Cutters gage</b>	7.62 cm	3"

## CROSS CONVEYOR

	METRIC	US
<b>Reversible and shiftable</b>	Yes	
<b>Conveyor belt speed</b>	0 - 240 m/min	0 - 790 fpm
<b>Conveyor discharge direction</b>	Right or left	
<b>Conveyor belt width</b>	60 cm	1' 11"
<b>Conveyor length</b>	250 cm	8' 3"

Pictures & drawings can be different according to technical specifications - Updating programme variations without notice are possible