

985 CHAINSAW



Tesmec 985 Chainsaw is a 40 metric ton-class trencher equipped with a 375 HP (280 kW) engine conceived for all ranges of customers, from highway contractors to pipeline contractors, working on projects where space is one of the main issues

STANDARD FEATURES

Versatility Exploit the versatility of 985 tractor and digging chain with 84 cm (2' 9") offset from machine centerline either direction. These are offered as standard with crumbshoe or protection bar kit, stabilizers and cross conveyor system.

Technology Rely on the already included TrenchTronic and Re.M to maximize excavation efficiency and fleet monitoring.

Safety in cab Experience the safety of the pressurized cab with air conditioning, heating and sound suppression. This is elevating with ROPS, as well as compartment security locks.

OPTIONAL FEATURES

- Truck loading conveyor, with central conveyor and double cross conveyor
- Air compressor, security kit, work light package and lateral cleaners
- Rubber track pads
- Reel carrier, rollers and laying box for mechanical laying
- TrenchIntel, Smart Tracker, Laser automatic system for depth control
- Remote control for maintenance
- Trencher radio control system

STATE OF THE ART TECHNOLOGY

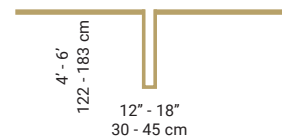
TrenchIntel The extra high precision 3DGPS guidance system for automatic depth and grade control, auto-teering to a predefined path, pass optimization and fleet control

TrenchTronic 4.0 Electronic control with operator selectable digging pressure, fully automatic operation, and remote diagnostic system

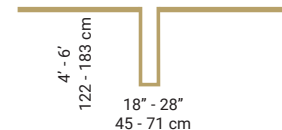
Re.M The remote monitoring system with machine data remote monitoring, fleet location management, troubleshooting information and operating conditions

TRENCHING DIMENSIONS

SINGLE CHAIN BOOM



DOUBLE LINK BOOM



DOUBLE CHAIN BOOM



TRANSPORT DIMENSIONS

	METRIC	US	
Length (with TLC)	4 ft boom	1.217 cm	39' 11"
	5 ft boom	1.252 cm	41' 1"
	6 ft boom	1.287 cm	42' 3"
Width	254 cm	8' 4"	
Height	315 cm	10' 4"	
Weight	30.500 - 40.000 kg	67.200 - 88.200 lbs	
Ground pressure	0.93 - 1.22 kg/cm ²	13.2 - 17.4 psi	

ENGINE

	METRIC	US
Model and Max HP (kW)		
Tier 4/Stage V CAT C9.3B	375 HP (280 kW)	
Max no load rpm	2.000 RPM	
Fuel tank capacity	660 L	174 gal
Fuel consumption (at full load)	68 L/hr	18 gal/hr
AD Blue/DEF consumption	2.38 L/hr	0.63 gal/hr
Cooling rating	54°C ambient air	130°F ambient air
Air cleaner	Dry type, 2 stages with pre-cleaner and automatic dust ejection	

TRACKS

	METRIC	US
Track chain type	D5	
Track length	298 cm	9' 9"
Track pad width	55 cm	1' 10"
Track pad type	Triple grouser	
Self-leveling (tilting) undercarriage	Track tilt angle +7° / -7°, Automatic/manual operation	

CRAWLER DRIVE

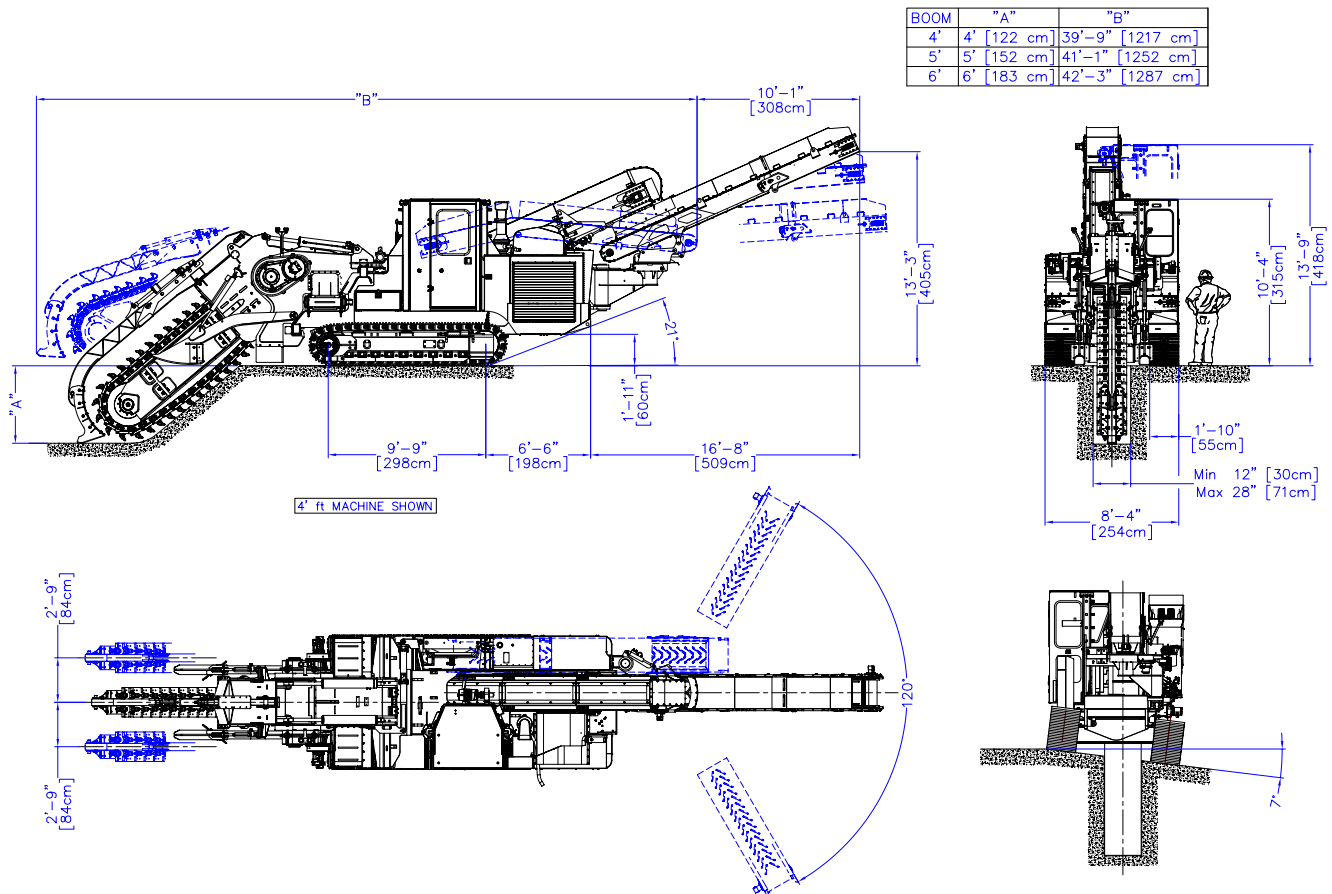
	METRIC	US
Drive	Dual path, hydrostatic, planetary transmissions	
	Full counter rotation with single lever steering and single lever direction	
Infinitely variable speed	Forward and reverse	
High range	0 - 3.2 km/h	0 - 2,00 mph
Low range	0 - 2.2 km/h	0 - 1,38 mph
Parking and service brake	Spring applied, hydraulic release, wet disc brake	

DIGGING DRIVE

	METRIC	US
Drive	Hydrostatic, one pump and two motors	
Flywheel gearboxes	Shaved, helical gearing, case hardened for shock load	
Digging speed range	0 - 160 m/min	0 - 525 fpm
Digging chain	Tesmec single strand or double link with 11.4 cm (4.5") pitch chain, "K" style	
Digging chain adjustment	Positive locking	
Cutters	Rotary carbide tipped	
Cutters shank diameter	3.81 cm	1 - 1/2"
Cutters gage	7.62 cm	3"

CROSS CONVEYOR

	METRIC	US
Reversible and shiftable	No	
Conveyor belt speed	0 - 380 m/min	0 - 1.250 fpm
Conveyor discharge direction	Right or left	
Conveyor belt width	61 cm	2' 0"
Conveyor length	249 cm	8' 2"



Pictures & drawings can be different according to technical specifications - Updating programme variations without notice are possible