

# GD2



Tesmec GD2 is a 25-27 metric ton-class trencher featuring a 510 HP (375 kW) engine designed to allow the simultaneous trenching and mechanical laying for the deployment of networks in rural environments and rocky grounds

## STANDARD FEATURES

**Productivity** Exploit the productivity of GD2 with R1200, R1200E, R1400 and R1400E rocksaw attachments, featuring an hydraulic offset of 204 cm (6' 9") from center line on left and right, +/- 20° hydraulic tilt (rotation about horizontal axis) and +/- 58° hydraulic pivot (rotation about vertical axis). These are offered as standard with crumbshoe and security kit.

**Remote control** Experience the radio control system, which enables the operator to control the machine remotely, increasing the safety in site, the visibility on the trenching area and on the trenching tool.

## OPTIONAL FEATURES

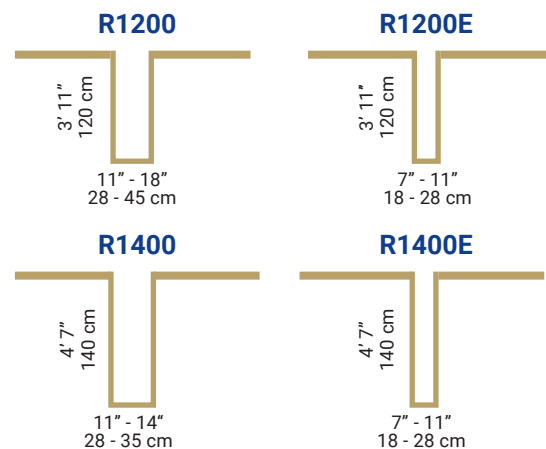
- Set of 2 reel holder arms + Round bar : Ø60 mm Lg. 2700 mm
- Working light kit
- Accessories for mechanized laying
- Re.M
- Smart Tracker

## STATE OF THE ART TECHNOLOGY

**Re.M** The remote monitoring system with machine data remote monitoring, fleet location management, troubleshooting information and operating conditions

**Smart tracker** Automatically collects as-built data while the machine is trenching, avoiding survey stakeout and achieve the complete digitalization of the jobsite

## TRENCHING DIMENSIONS



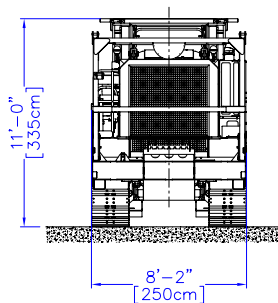
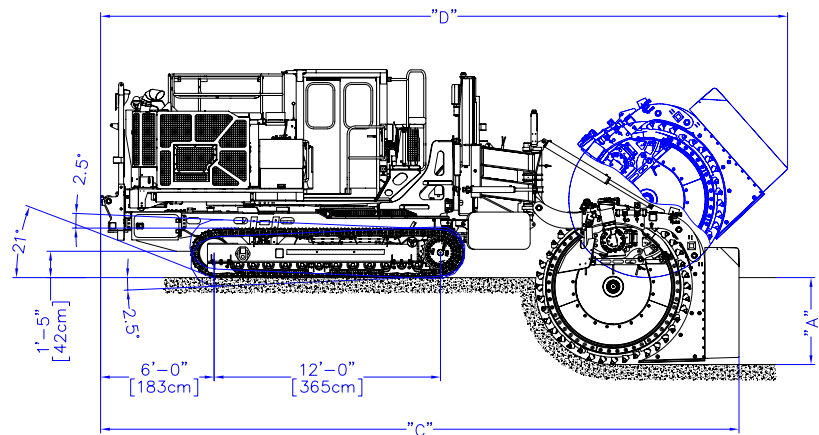
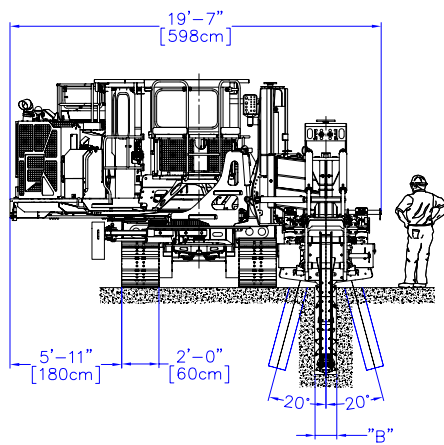
## TRANSPORT DIMENSIONS

		METRIC	US
Length	(R1200 - R1200E)	1070 cm	35' 2"
	(R1400 - R1400E)	1109 cm	36' 4"
Width		250 cm	8' 2"
Height		335 cm	11' 0"
Weight	(R1200)	28.340 Kg	62.400 lbs
	(R1200E)	27.190 Kg	59.900 lbs
	(R1400)	29.260 Kg	64.500 lbs
	(R1400E)	27.980 Kg	61.700 lbs
Ground pressure	(R1200)	0.71 kg/cm2	10.1 psi
	(R1200E)	0.68 kg/cm2	9.7 psi
	(R1400)	0.73 kg/cm2	10.6 psi
	(R1400E)	0.70 kg/cm2	9.9 psi

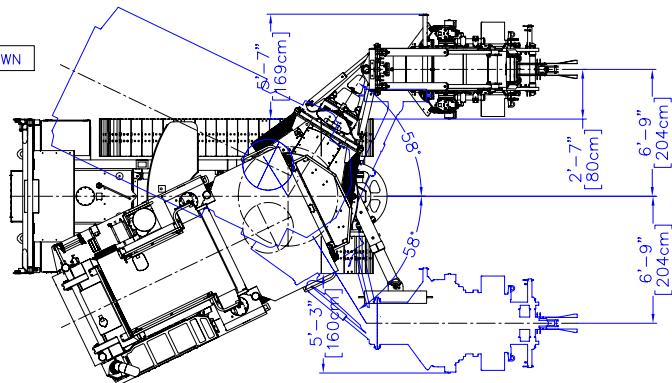
## ENGINE

	METRIC	US
<b>Model and Max HP (kW)</b>		
Tier 4/Stage V DEUTZ TCD 12 V6	475 HP (350 kW)	
Max no load rpm	1.800 RPM	
Fuel tank capacity	660 L	174 gal
Fuel consumption	85 L/hr	23 gal/hr
AD Blue/DEF consumption	3.4 L/hr	0.89 gal/h
Cooling rating	50°C ambient air	122°F ambient air
Air cleaner	Dry type, 2 stages with dual pre-cleaner	

TOOL	"A"	"B"	"C"	"D"
R1200	3'-11" [120 cm]	Min 11" [28 cm] Max 18" [45 cm]	33'-1" [1009 cm]	35'-2" [1070 cm]
R1200E	3'-11" [120 cm]	Min 7" [18 cm] Max 11" [28 cm]	33'-1" [1009 cm]	35'-2" [1070 cm]
R1400	4'-7" [140 cm]	Min 11" [28 cm] Max 14" [35 cm]	33'-9" [1030 cm]	36'-4" [1109 cm]
R1400E	4'-7" [140 cm]	Min 7" [18 cm] Max 11" [28 cm]	33'-9" [1030 cm]	36'-4" [1109 cm]



GD2 R1400 MACHINE SHOWN



Pictures & drawings can be different according to technical specifications - Updating programme variations without notice are possible

**TESMEC**  
draw the way forward

## CRAWLER DRIVE

	METRIC	US
Drive	Dual path, hydrostatic, planetary transmissions	
	Full counter rotation with double lever steering and double lever direction	
Infinitely variable speed	Forward and reverse	
Transfer mode driving	0 - 2.2 km/h	0 - 1.37 mph
Work mode driving	0 - 1.28 km/h	0 - 0.80 mph
Parking and service brake	Hydraulic due to lack of pressure	

## DIGGING DRIVE

	METRIC	US
Drive	Hydrostatic, two pumps and two motors	
Flywheel gearboxes		
Digging speed ranges	0 - 192 m/min	0 - 630 fpm
	0 - 270 m/min	0 - 886 fpm
Digging wheel	Single wheel	
Cutters	Rotary carbide tipped	
Cutters shank diameter	2.5 - 3.8	1" - 1 1/2"
Cutters gage	6.4 cm	2 1/2"

## TRACKS

	METRIC	US
Track chain type	B4	
Track length	442 cm	14' 6"
Space idler / sprocket	365 cm	12'
Track pad type	Triple grouser	
Track pad width	60 cm	2' 0"
Tilt Undercarriage	+/- 2.5°	