

MTR430 R1200-1400



Tesmec MTR430 with R1200 or R1400 is a 30 metric ton-class trencher featuring a 428 HP (315 kW) engine designed to optimise the mechanized laying of networks in rural and urban environments

STANDARD FEATURES

Productivity Exploit the productivity of MTR430 with R1200 or R1400 rocksaw attachments, featuring an hydraulic offset of 184 cm (6'1") right and 124 cm (4' 1") left, +/- 15° hydraulic tilt (rotation about horizontal axis) and +/- 27.6° hydraulic pivot (rotation about vertical axis). These are offered as standard with crumbshoe, security kit and TrenchTronic.

Modularity Enhance MTR430 potential thanks to its modularity. This model is available also with R620 wheel and CS1300 chainsaw, making it the ideal solution for multiple applications.

Remote control Experience the radio control system, which enables the operator to control the machine remotely, increasing the safety in site, the visibility on the trenching area and on the trenching tool.

OPTIONAL FEATURES

- Closed cabin, pressurized with heating and air conditioning
- Wired control
- Cameras
- Working light kit
- Accessories for mechanized laying
- Re.M
- Smart Tracker

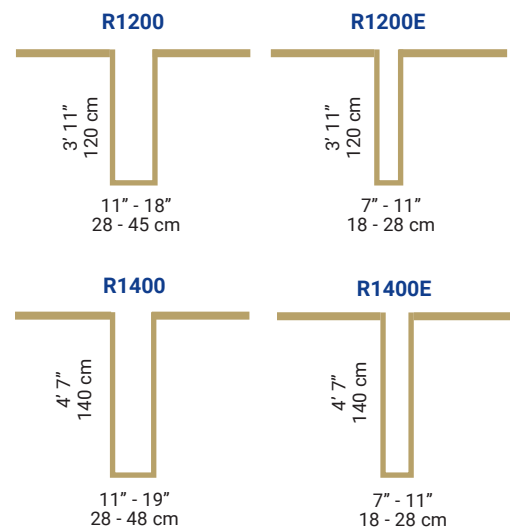
STATE OF THE ART TECHNOLOGY

TrenchTronic The remote control with machine data remote monitoring, fleet location management, troubleshooting information and operating conditions

Re.M The remote monitoring system with machine data remote monitoring, fleet location management, troubleshooting information and operating conditions

Smart tracker Automatically collects as-built data while the machine is trenching, avoiding survey stakeout and achieve the complete digitalization of the jobsite

TRENCHING DIMENSIONS



TRANSPORT DIMENSIONS

		METRIC	US
Length	(R1200 - R1200E)	1076 cm	35' 3"
	(R1400)	1115 cm	36' 7"
	(R1400E)	1111 cm	36' 5"
Width		250 cm	8' 2"
Height		323 cm	10' 7"
Weight	(R1200)	29.550 Kg	65.100 lbs
	(R1200E)	28.900 Kg	63.700 lbs
	(R1400)	30.680 Kg	67600 lbs
	(R1400E)	30.030 Kg	66.200 lbs
Ground pressure	(R1200)	0.67 kg/cm2	9.5 psi
	(R1200E)	0.65 kg/cm2	9.2 psi
	(R1400)	0.70 kg/cm2	9.9 psi
	(R1400E)	0.68 kg/cm2	9.6 psi

ENGINE

	METRIC	US
Model and Max HP (kW)		
Tier 4/Stage V VOLVO TAD1382VE	428 HP (315 kW)	
Max no load rpm	1.700 RPM	
Fuel tank capacity	840 L	222 gal
Fuel consumption	90 L/hr	24 gal/hr
AD Blue/DEF consumption	4.5 L/hr	1.19 gal/hr
Cooling rating	50°C ambient air	122°F ambient air
Air cleaner	Dry type, 2 stages with dual pre-cleaner	

TRACKS

	METRIC	US
Track chain type	B4	
Track length	442 cm	14' 6"
Space idler / sprocket	365 cm	12'
Track pad type	Triple grouser	
Track pad width	60 cm	2' 0"
Tilt Undercarriage	+/- 2.5°	

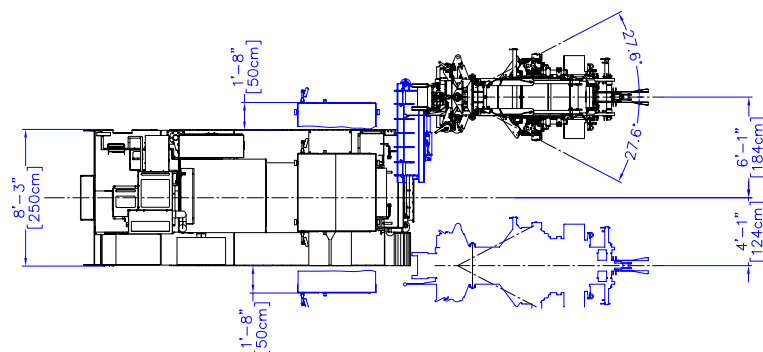
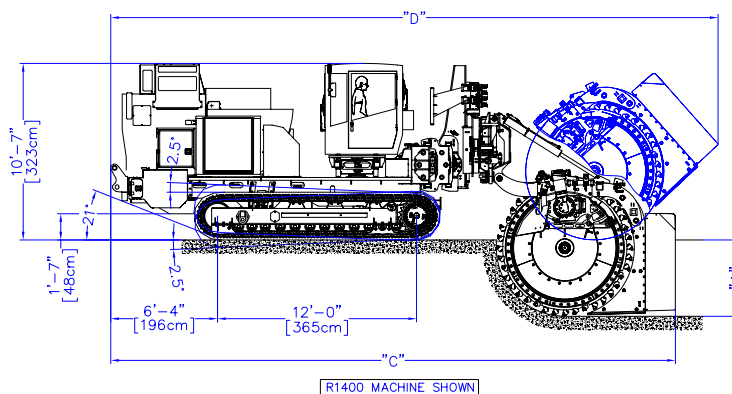
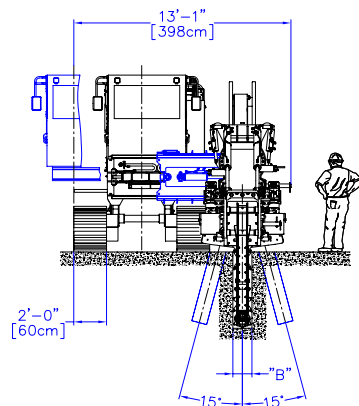
CRAWLER DRIVE

	METRIC	US
Drive	Dual path, hydrostatic, planetary transmissions	
	Full counter rotation with double lever steering and double lever direction	
Infinitely variable speed	Forward and reverse	
Transfer mode driving	0 - 2.2 km/h	0 - 1.37 mph
Work mode driving	0 - 1.28 km/h	0 - 0.80 mph
Parking and service brake	Hydraulic due to lack of pressure	

DIGGING DRIVE

	METRIC	US
Drive	Hydrostatic, two pumps and two motors	
Digging speed ranges	0 - 192 m/min	0 - 630 fpm
	0 - 270 m/min	0 - 885 fpm
Digging wheel	Single wheel	
Cutters	Rotary carbide tipped	
Cutters shank diameter	2.5 - 3.8 cm	1" - 1 1/2"
Cutters gage	6.4 cm	2.5"

TOOL	"A"	"B"	"C"	"D"
R1200	3'-11" [120 cm]	Min 11" [28 cm] Max 18" [45 cm]	33'-2" [1012 cm]	35'-3" [1076 cm]
R1200E	3'-11" [120 cm]	Min 7" [18 cm] Max 11" [28 cm]	33'-2" [1012 cm]	35'-3" [1076 cm]
R1400	4'-7" [140 cm]	Min 11" [28 cm] Max 19" [48 cm]	34' [1036 cm]	36'-7" [1115 cm]
R1400E	4'-7" [140 cm]	Min 7.1" [18 cm] Max 11" [28 cm]	34' [1036 cm]	36'-5" [1111 cm]



Pictures & drawings can be different according to technical specifications - Updating programme variations without notice are possible